

O.I.P.E. JC3E
JUN 25 2004
PATENT & TRADEMARK OFFICE

Title of Invention: Acceleration Clamp Assist
Inventor's Name: MARGESON, C.S.
Docket No./Application No.: 10/807,291

1/7

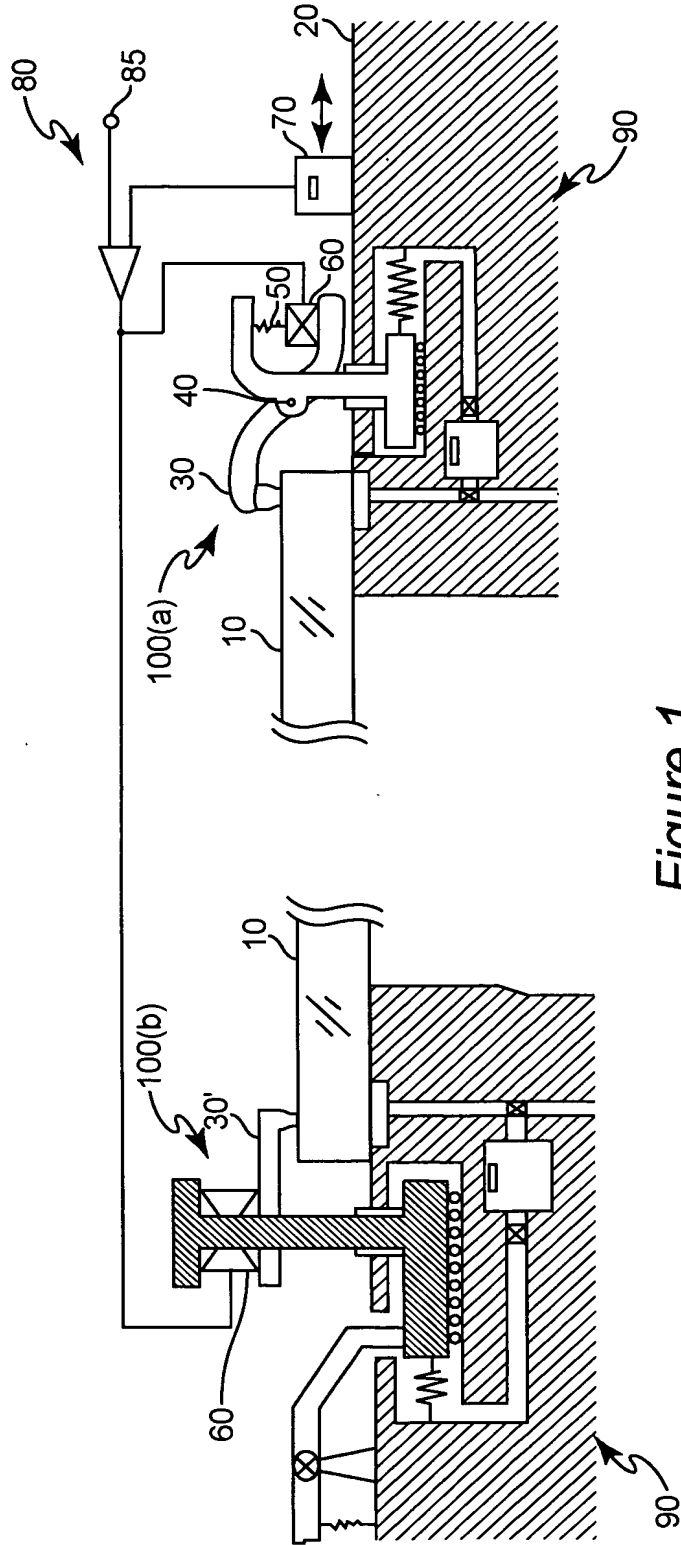


Figure 1

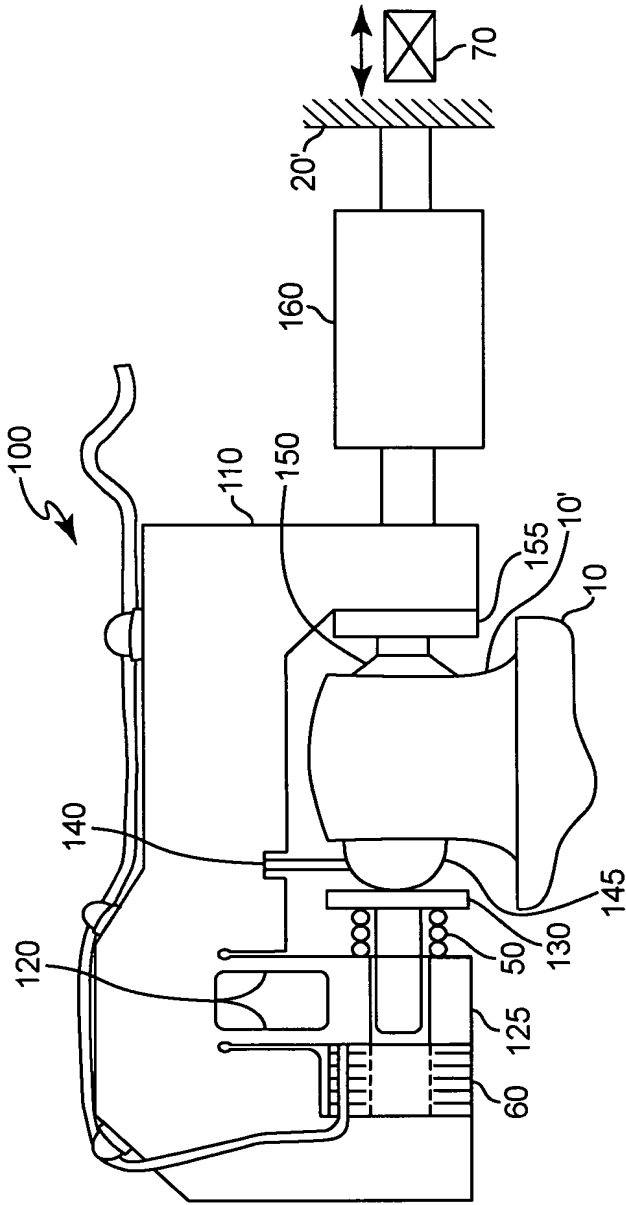


Figure 2A

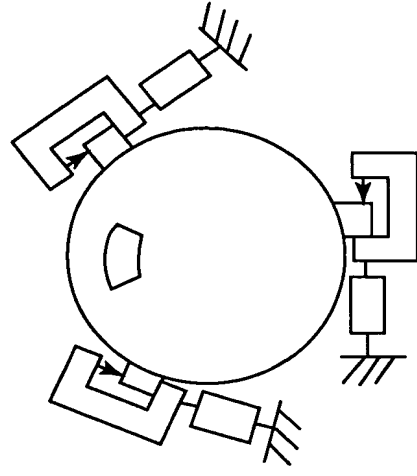


Figure 2C

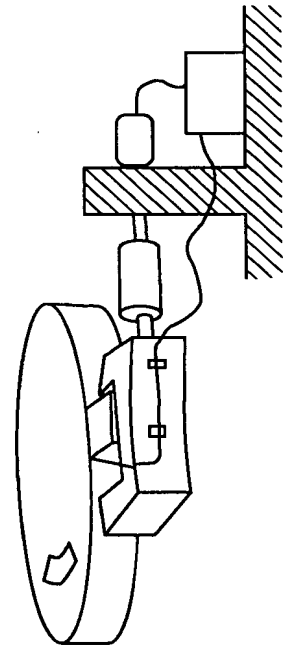


Figure 2B

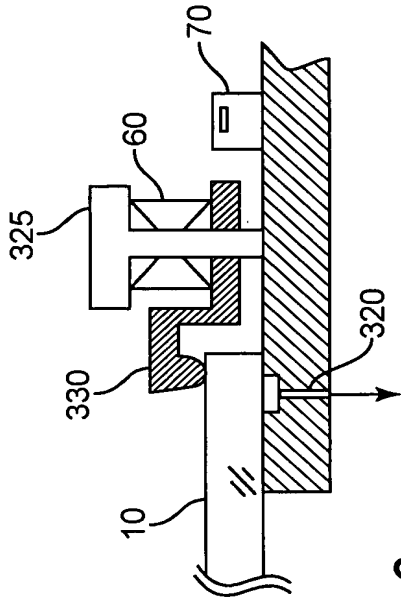


Figure 3

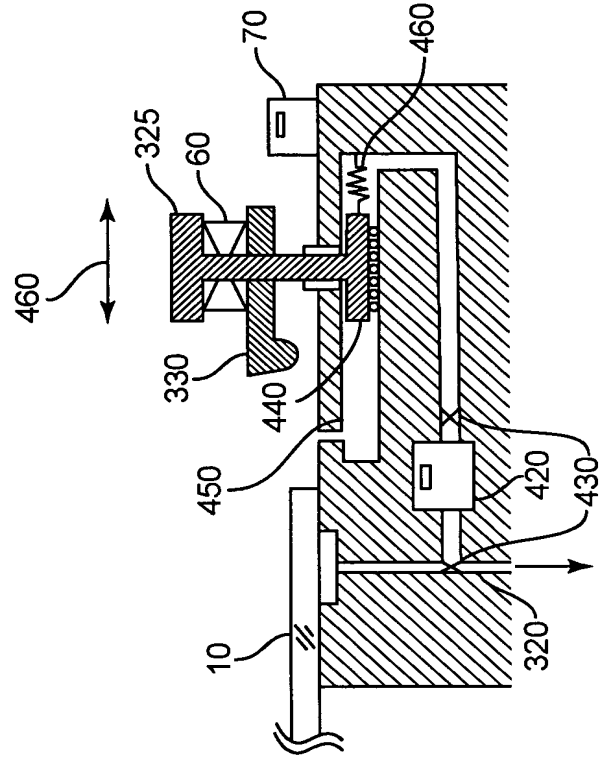
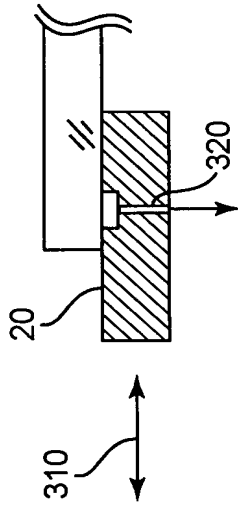


Figure 4

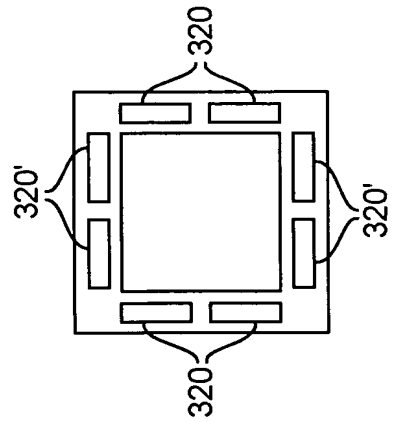


Figure 3A

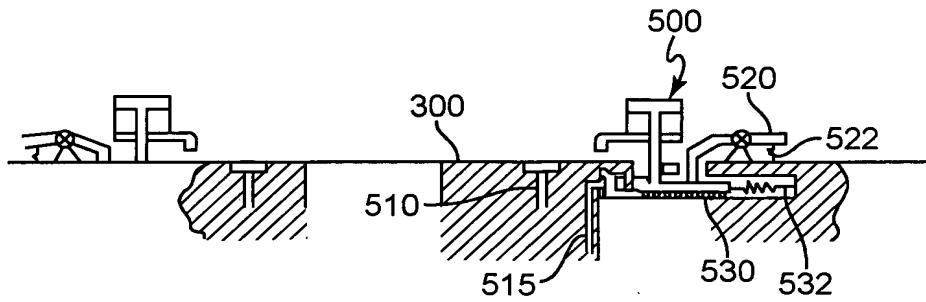


Figure 5

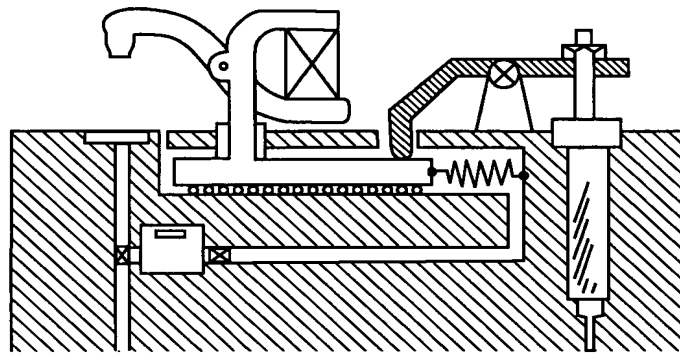


Figure 5A

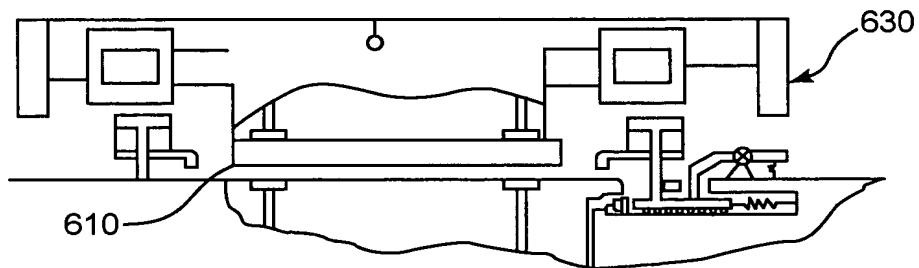


Figure 6

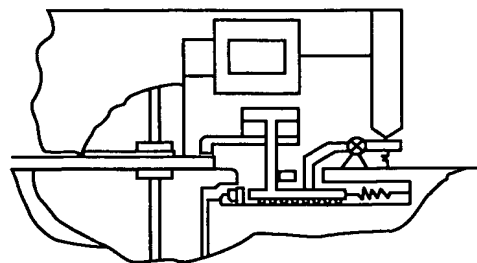


Figure 7

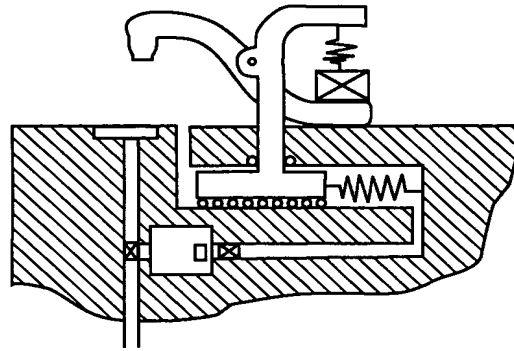


Figure 8

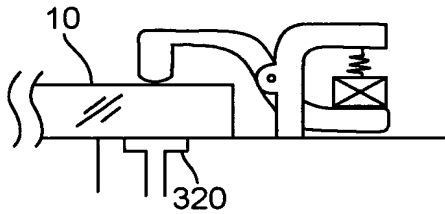


Figure 9

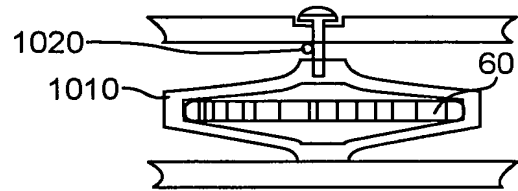


Figure 10

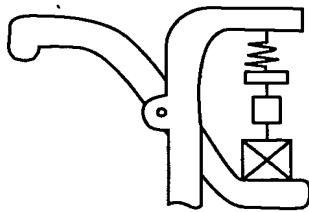


Figure 11

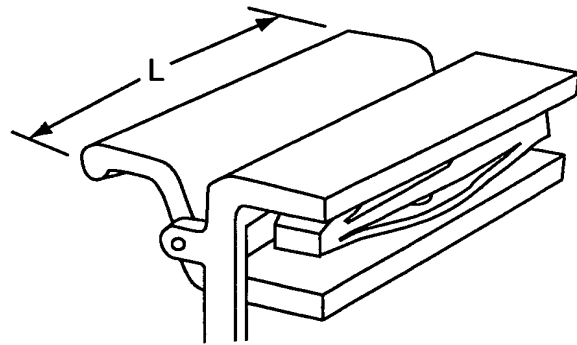


Figure 12

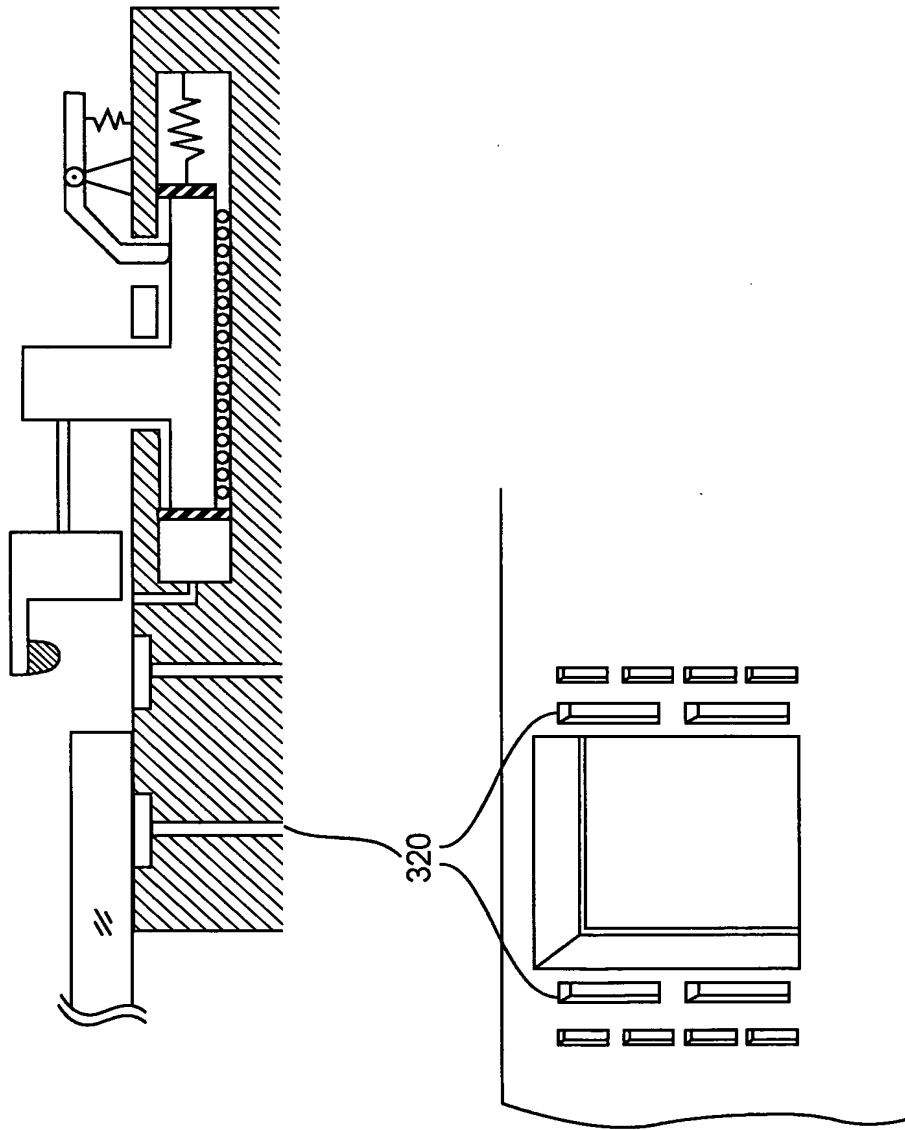


Figure 13

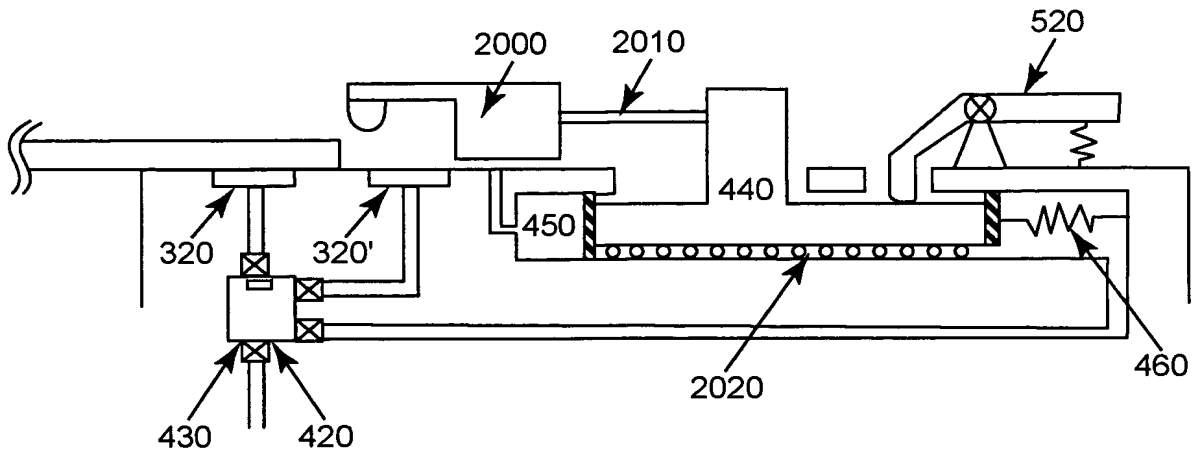


Figure 14

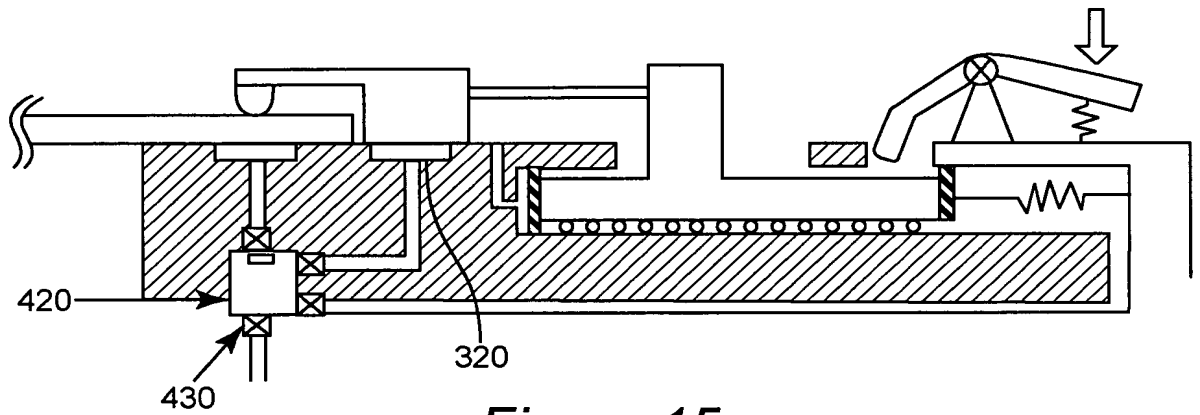


Figure 15

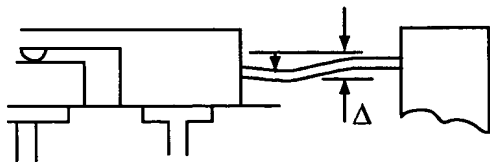


Figure 16

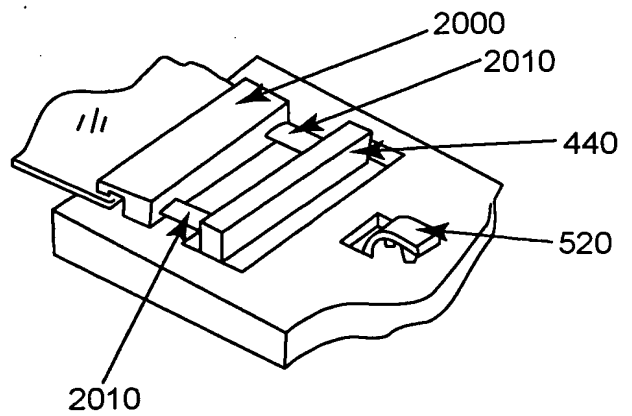


Figure 17